

English version

□ Contents

1. Cautionary Notes	3
2. Specifications	4
3. Parts List	5
4. Installation	8
5. Options	14

1 Cautionary Notes

- 1) Please thoroughly read and understand the contents of this User Manual prior to installation.
- 2) Check the components list and condition of the product before installation. If any problem is found, contact the retailer to obtain a replacement.
- 3) Refrain from touching any moving parts to prevent injuries.
- 4) Please refer to the manual for cable setup/installation. Incorrect installation can lead to short-circuiting and/or damage(s).
- 5) Do not block the front and rear air vents.
- 6) Place on a flat, stable surface with good ventilation, and avoid areas with direct sunlight, oil, water or excessive moisture.
- 7) Do not cleanse any surface with chemical cleaners or solvents.(chemicals including but not limited to: industrial brightener, wax, benzene, alcohol, paint thinner, mosquito repellent, aromatics, lubricant, detergent etc.)
- 8) Please wear gloves during the installation process to prevent injuries.
- 9) The specifications of any product may change without prior notice to improve performance

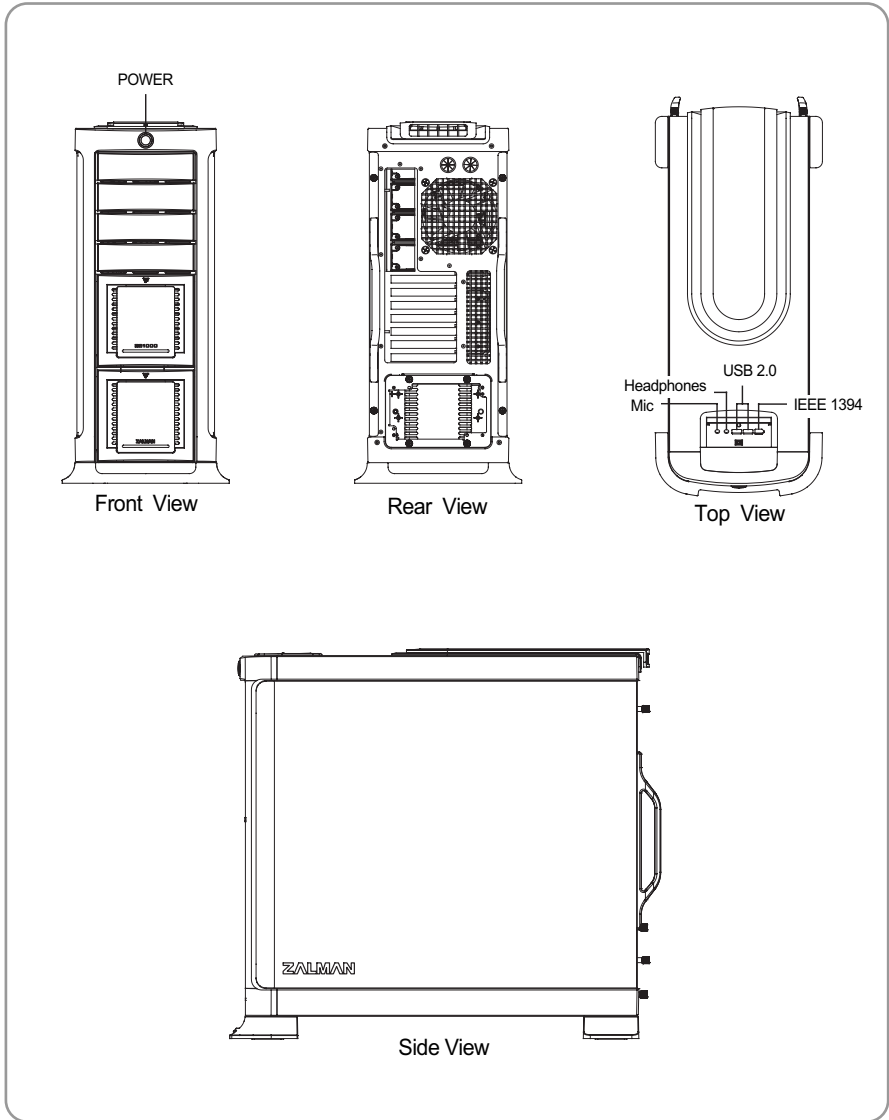
Disclaimer) Zalman Tech Co., Ltd. is not responsible for any damages due to external causes, including but not limited to, improper use, problems with electrical power, accident, neglect, alternation, repair, improper installation, or improper testing.

2 Specifications

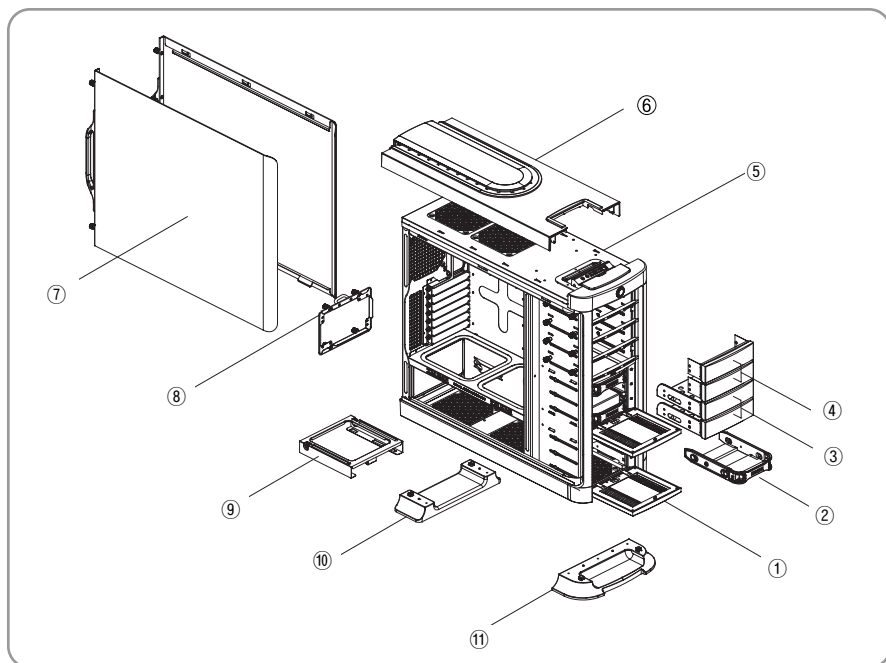
Type	Full Tower
Dimensions (D x W x H)	640mm x 260mm x 570mm (including feet) (25.2 " x 10.2 " x 22.4 ")
Weight	17.4kg (38.4lb)
Material(s)	Aluminum / ABS / Steel
Color Options	Black / Titanium
Motherboard Compatibility	E-ATX / Standard ATX / microATX
PSU Compatibility	Standard ATX / ATX12V
PCI/AGP card Compatibility	Full Size
5.25" Bays	x 4 (2 can serve as 3.5")
3.5" Bays	x 6 (Hot Swap Function Optional)
Cooling Components	<ul style="list-style-type: none"> • Top Vent: 120mm Fan Vent x 2 (1 Fan included, 1 optional) • Rear Vent: 120mm Fan Vent x 1 (1 Fan included) • Bottom Vent: 120mm Fan Vent x 2 (Fans optional)
Expansion Slots (Tool Free Bolts provided)	x 7 slots
Front I/O port	USB x 2 IEEE1394(Firewire) x 1 Headphone x 1 Mic x1

3 Parts List

1) GS1000 SE












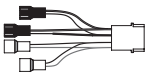
2) GS1000 SE Blow-Up Diagram



Part No.	Part Name	Qty
①	HDD Cover	2
②	HDD Tray	6
③	"2 in 1" Bracket	2
④	5.25" Bay Cover	2
⑤	Chassis	1
⑥	Top Cover	1

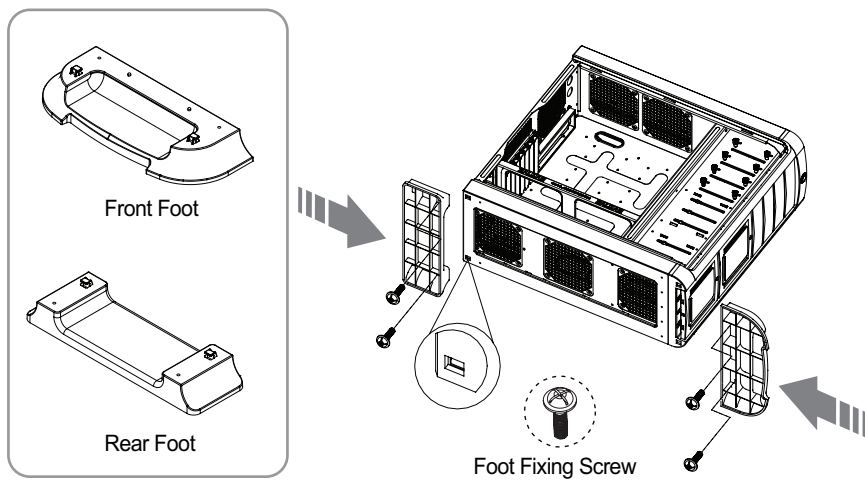
Part No.	Part Name	Qty
⑦	Side Panel	2
⑧	PSU Bracket	1
⑨	PSU Fan Bracket	1
⑩	Rear Foot	1
⑪	Front Foot	1

3) GS1000 SE Parts

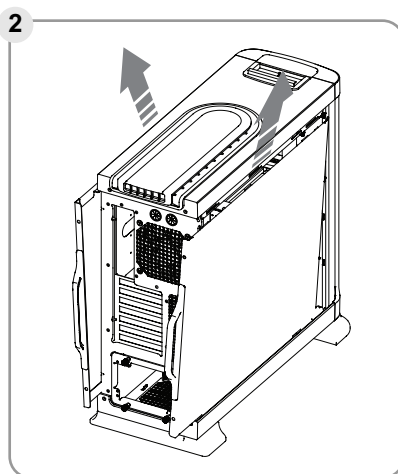
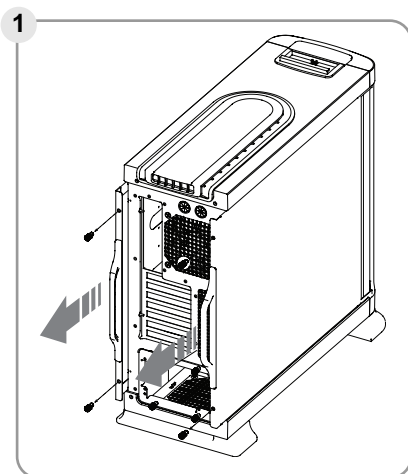
Diagram	Part Name	Qty	Role
	Foot (Front/Rear)	1	Support
	CPU 12V Extension Cable	1	CPU Power Extension Cable
	M/B Stand Off	20	microATX M/B Installation (silver)
	HDD Screws	12	HDD Installation (black)
	PSU Screws	24	PSU, Motherboard Installation (black)
	Foot Fixing Screws	4	Feet Assembly (black)
	Hand Screws	4	5.25" Bay Installation
	FDD Cover	1	FDD Installation
	Cable Tie	10	Cable Management
	ZM-MC1 (Multi Connector)	1	Fan RPM control (white/low noise/5V, black/full speed/12V)

4 Installation

1) Feet Assembly

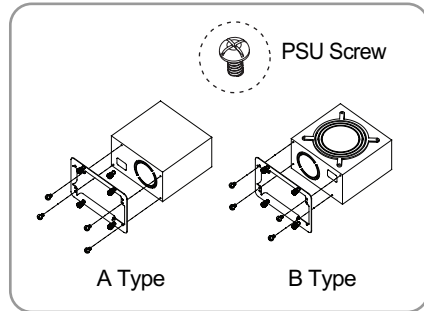
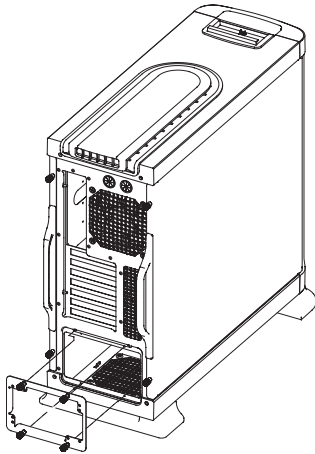


2) Side Panel Removal

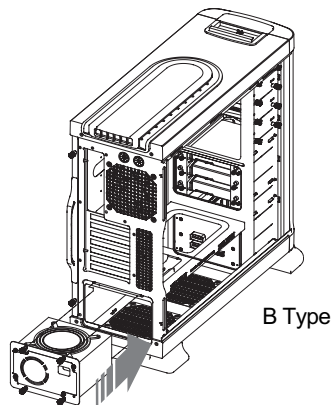
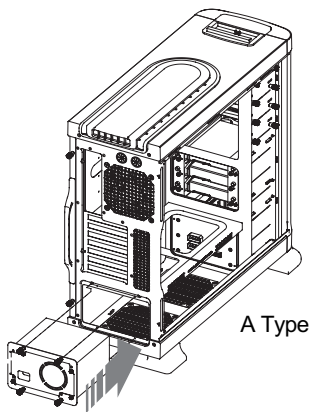


3) PSU Installation

(1) PSU Bracket Removal



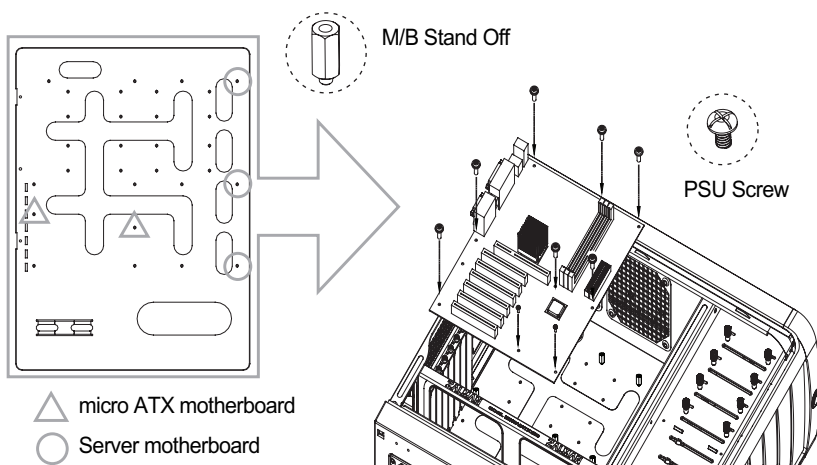
(2) PSU Bracket Assembly



! Tip

- ▶ A Type : Please position the PSU's intake facing downwards to optimize PSU cooling.
- ▶ B Type : Please position the PSU's intake facing upwards to optimize system cooling.
- ※ If the system is in a dusty environment, please use the B Type configuration.

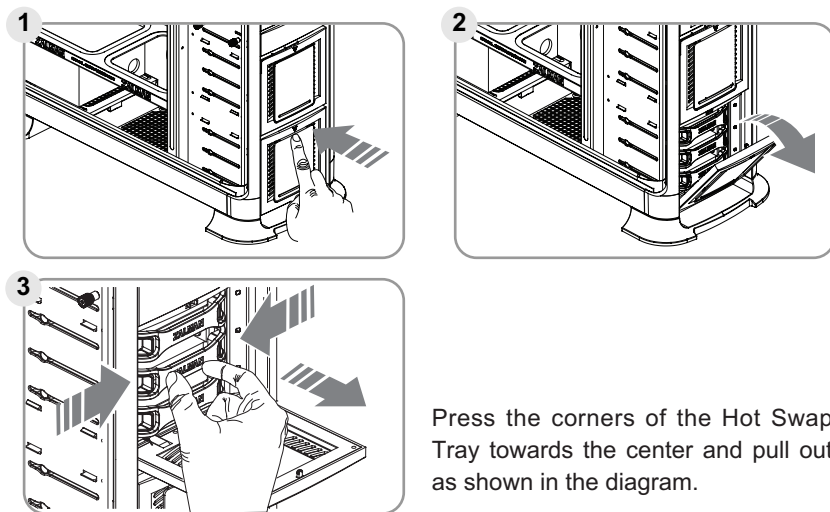
4) Motherboard Installation



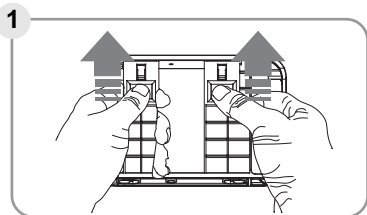
※ When installing a micro ATX or server motherboard, please install the M/B Stand Offs as shown in the diagram.

5) Hot Swap HDD Installation

(1) 3.5" HDD Removal



(2) HDD Tray HDD installation



Push the Hooks located on the underside of the HDD Tray and push in the direction as shown above.

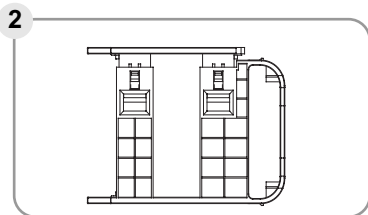
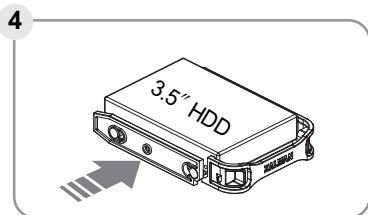
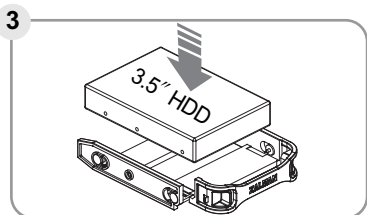
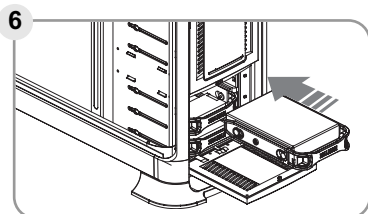
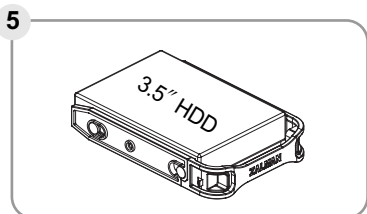


Diagram of "open" HDD Tray

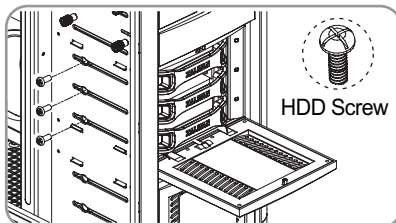


Please check that the Tray's metal pins are aligned with the HDD's fixing holes.



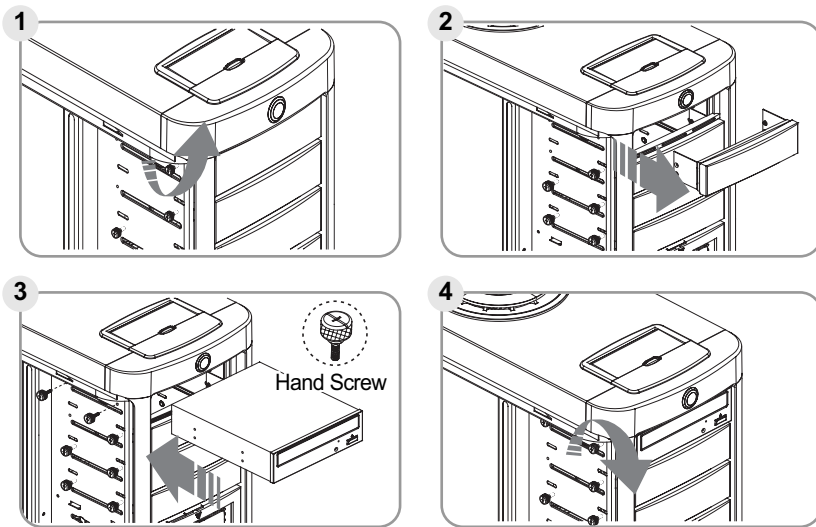
Caution

- ※ Please secure the HDDs with bolts as shown in the diagram when transporting the case with HDDs installed.
- ※ Be sure to install the HDD(s) right-side up or the HDD(s) will not operate properly.

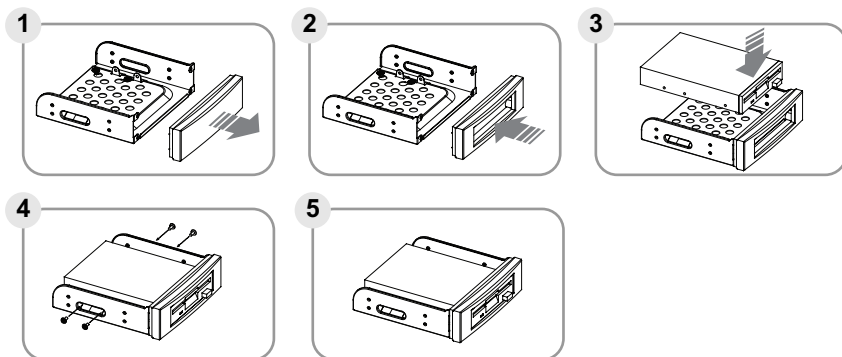


6) 5.25" Drive Installation

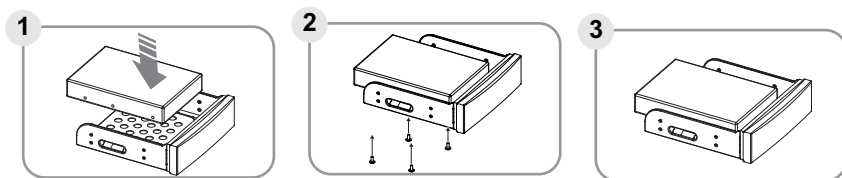
(1) ODD Installation



(2) FDD Installation



(3) HDD Installation (additional HDD installation in a 5.25" bay)



7) Front I/O Cable Connection

For USB 2.0, IEEE1394a, and audio components, please refer to the motherboard's manual.

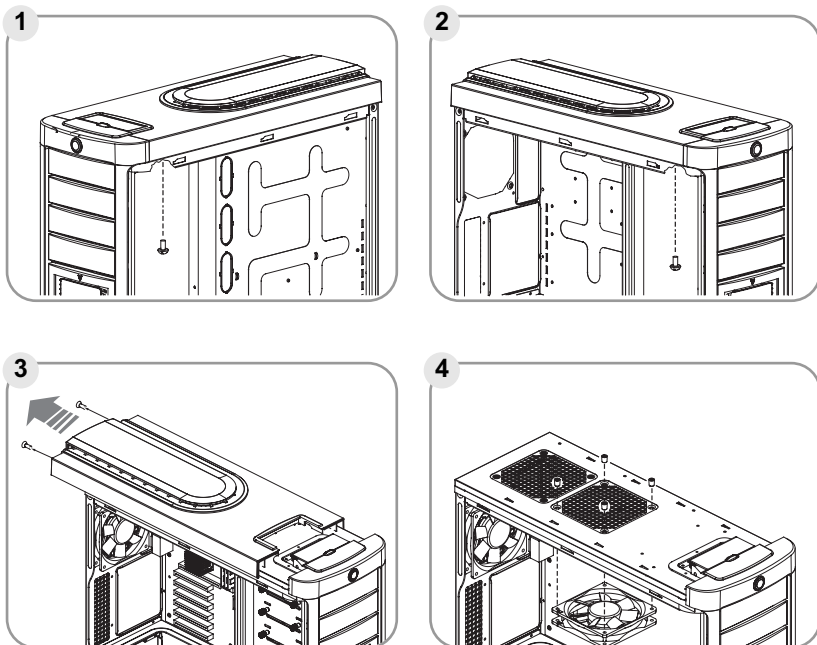


Caution

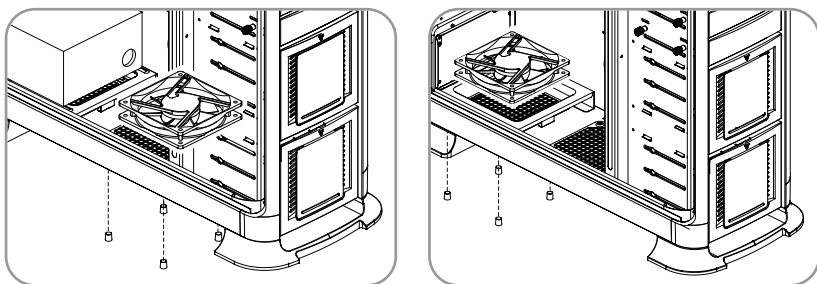
- ※ Mixing the IEEE1394a and USB2.0 cables can cause severe damage to the system.
- ※ The Power LED will not function properly if connected with the wrong polarity (+/-). Please check the motherboard's manual before connecting.

5 Options

1) Optional Top Panel 120mm Fan Installation



2) Optional Bottom Panel 120mm Fan Installation

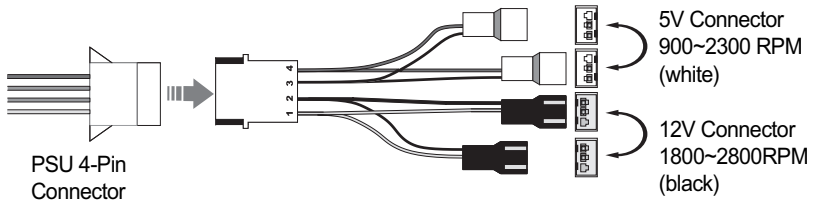


Bottom Panel Center Fan Installation

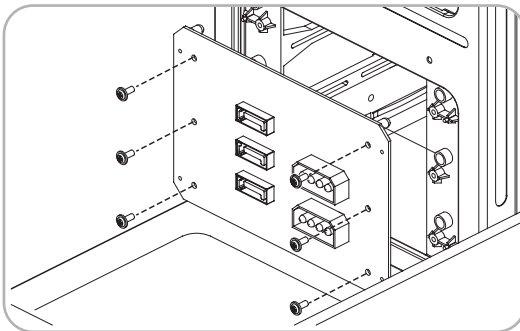
Bottom Panel Rear Fan Installation

3) ZM-MC1(Multi Connector)

- (1) Connect the 4-Pin Connector to the PSU as show in the below diagram.
- (2) Connect the case fan(s) to the desired voltage / speed connector(s).
(120mm, 92mm fan)



4) Hot Swap PCB Installation (Optional)



- (1) Up to 2 Hot Swap PCBs(sold separately) can be installed.
- (2) Each Hot Swap PCB can connect up to 3 S-ATA HDDs.

